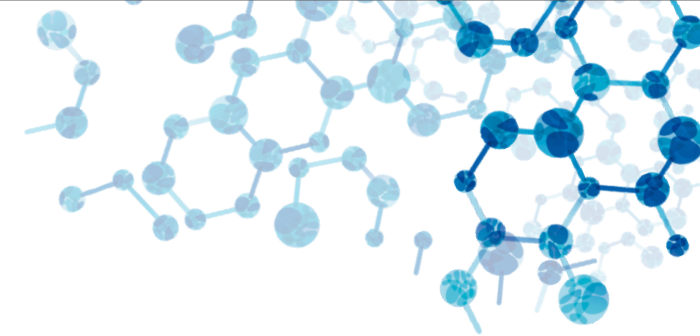


## Disposable reagent panel & Order code

Panels	General Chemistry Kit		Health Check Kit		Liver Function Kit		Renal Function Kit		Electrolyte Kit		Lipid Kit		Cardiac Kit		Liver Function Plus Kit		Renal Function Plus Kit		Rel-Lyte Kit		Chemistry CRP Kit		Glycolipid Kit		CRP Kit		General Chemistry II Kit		General Chemistry III Kit		
	17	16	12	9	7	7	4	12	9	7	11	6	5	18	23																
Analytes	AW00002	AW00194	AW00131	AW00088	AW00246	AW00353	AW00411	AW00430	AW00275	AW00788	AW00857	AW00858	AW00859	AW00866	AW00867																
Potassium					K <sup>+</sup>				K <sup>+</sup>	K <sup>+</sup>					K <sup>+</sup>																
Sodium					Na <sup>+</sup>				Na <sup>+</sup>	Na <sup>+</sup>					Na <sup>+</sup>																
Chlorine					Cl <sup>-</sup>				Cl <sup>-</sup>	Cl <sup>-</sup>					Cl <sup>-</sup>																
Magnesium					Mg										Mg																
Calcium		Ca		Ca	Ca				Ca						Ca																
Phosphorus		PHOS		PHOS	PHOS										PHOS																
Carbon Dioxide				tCO <sub>2</sub>	tCO <sub>2</sub>										tCO <sub>2</sub>																
Creatinine	Crea	Crea		Crea					Crea	Crea	Crea				Crea	Crea	Crea					Crea	Crea	Crea							
Uric Acid	UA			UA					UA			UA			UA							UA	UA								
Urea nitrogen	UREA	UREA		UREA					UREA	UREA	UREA				UREA	UREA	UREA					UREA	UREA	UREA							
Albumin	ALB	ALB	ALB	ALB					ALB	ALB					ALB	ALB						ALB	ALB								
Total protein	TP	TP	TP						TP						TP							TP									
Glucose	GLU	GLU		GLU		GLU									GLU	GLU	GLU					GLU	GLU	GLU							
Total Cholesterol	TC					TC									TC							TC									
Triglycerides	TG	TG				TG									TG							TG									
High-density Lipoprotein						HDL																									
Alkaline Phosphatase	ALP			ALP					ALP						ALP							ALP									
Gamma-glutamyltransferase	GGT			GGT					GGT						GGT							GGT									
Total Bilirubin	TB	TB	TB						TB						TB							TB									
Direct bilirubin									DB						DB							DB									
Cholinesterase				CHE																											
Bile Acids				TBA																											
Alanine Aminotransferase	ALT	ALT	ALT			ALT			ALT						ALT							ALT									
Aspartate Aminotransferase	AST	AST	AST			AST	AST	AST							AST							AST									
Creatine Kinase		CK							CK						CK							CK	CK	CK							
Lactate Dehydrogenase									LDH						LDH																
α-HBDH									HBDH						HBDH																
Amylase	AMY	AMY	AMY						AMY						AMY							AMY	AMY	AMY							
Lipase									LPS						LPS							LPS	LPS	LPS							
Lactic acid															LAC																
C-reactive protein															CRP							CRP	CRP								
Globulin	GLOB*	GLOB*	GLOB*						GLOB*																						
Urea/Crea	U/C*	U/C*		U/C*					U/C*						U/C*							U/C*	U/C*								
ALB/Glob	A/G*	A/G*	A/G*						A/G*																						
Low-density Lipoprotein									LDL*																						

\* Matching reagent disc production company: Chengdu Polytech Biological Technology Co., Ltd



# POINT OF CARE (POCT) FULL AUTOMATIC DRY BIOCHEMISTRY ANALYZER

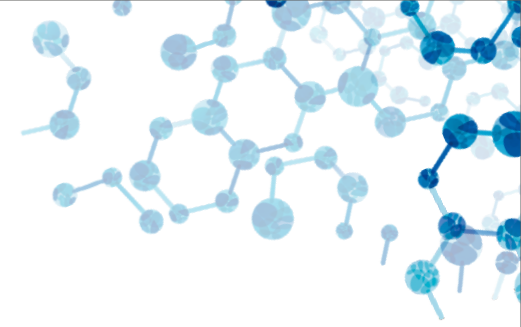
SMT-120 full-automatic dry biochemical analyzer is a biochemical analysis system that integrates conventional biochemical, coagulation, electrolyte and some immune items. It is widely used in primary health, emergency diagnostic testing, field rescue and other fields.

Immediate Results Anywhere Anytime

Transfer results to PC

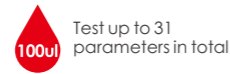
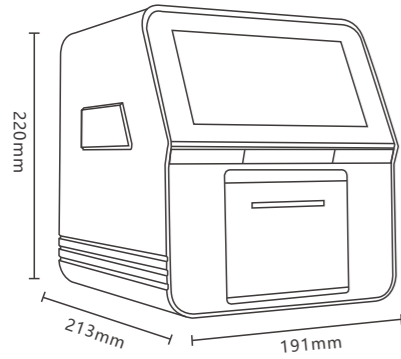
Build test results database (LIS System)





## SMT-120 FULLY AUTOMATIC BIOCHEMISTRY ANALYZER

Equipped with the latest medical and technological innovations, we have invented a state-of-the-art portable automatic biochemistry analyzer SMT-120 which provides a better, quicker and accurate diagnosis for blood analysis.



Test results in 11 minutes

3 steps simple operation

## ADVANTAGES

### Little Sample Volume Required

Sample Volume needed is 1 / 10 - 1 / 20 of traditional chemistry analyzer.

### Easy to Carry

4.2 kg. The portable analyzer is designed to save space, use it anywhere anytime.

### Less Maintenance

No consumables needed such as tubes, pump, valve etc, saving your maintenance expenses.

### Accurate Result

Using the photoelectric colorimetric principle, the SMT-120 analyzer has many advantages versus traditional dry biochemistry analyzer using the light reflection method. Dilution of test sample is guaranteed without random errors and cross contaminations.

## SPECIFICATION

Sample volume:	90-120 $\mu$ l	Testing method:	End point, kinetic, fixed time, turbidimetry etc
Bar code:	QR code	Light source:	12V/20W, halogen tungsten lamp' s life span is over 2500 hours
Testing time:	12 minutes / sample	Power supply:	AC 100V-240V, 50-60Hz
Temperature:	37 $^{\circ}$ C $\pm$ 0.3 $^{\circ}$ C	Power:	Output: 15 $\square$ 7.0a, 105W MAX
Resolution:	0.001Abs	Display:	Android 6.5 inch 800*480, multi-point capacitive touch screen
Absorbance:	0-3.0Abs	Storage:	500,000 results
Sample type:	Anti-coagulation whole blood, serum, plasma	Printer:	Built-in thermal printer
Work condition:	Temperature: 10-32 $^{\circ}$ C Humidity: <85%	Connectors:	2 USB ports
Testing principle:	Absorption spectroscopy, transmission turbidimetry	Order code:	A00120000E00
QC&Calibrate:	IQC intelligent QC		

## EASY 3-STEPS OPERATION

All steps are automated from centrifugation, dilution, quality control to test result printing.



### 1. Insert Sample ( 100 $\mu$ l )

- No sample pretreatment needed.
- only 100 $\mu$ l of whole blood / serum / plasma needed.



### 2. Insert Reagent Disc (12 minutes testing time)

- Internal centrifugation of test sample. No internal liquids or pumps.



### 3. Interpret result ( immediately )

- No random error or cross infection possible.
- Print result automatically.

## DISPOSABLE REAGENT DISC

### Seamaty Reagent Disc Introduction

Born from space technology research, Seamaty reagent disc is fully self-contained single-use chemistry reagent disc designed to satisfy a variety of conditions. Just 3-4 drops (100 $\mu$ l ) of whole blood are required to offer many accurate results. The test kit consists of freeze-dried reagent beads, diluent and QR code. Single use with 12 months lifespan (2-8 $^{\circ}$ C storage temperature). The diluent contains in the rotor. The QR code includes the basic information of rotor.

### QC Intelligent Quality Control

The SMT-120 test reagent disc contains a complicated onboard quality control system which continually monitors the disc function to ensure reaction stability and optimal disc performance. IQC is the engine that drives the SMT-120 accuracy and precision.

### Correlation

In countless central-lab correlation studies, the accuracy, precision and reproducibility of the SMT-120 Chemistry Analyzer has been proven and approved by the most respected hospitals and commercial laboratories in the world.

